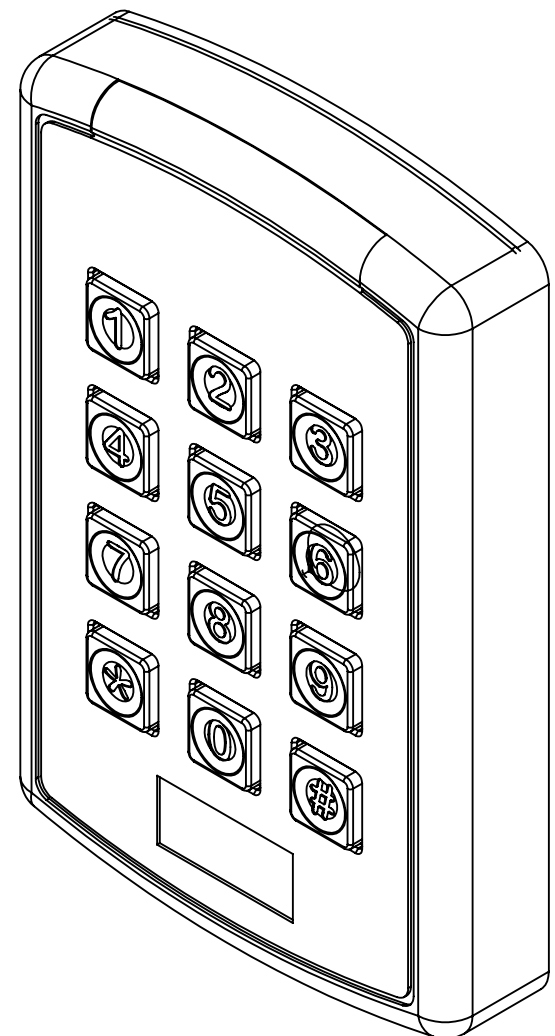
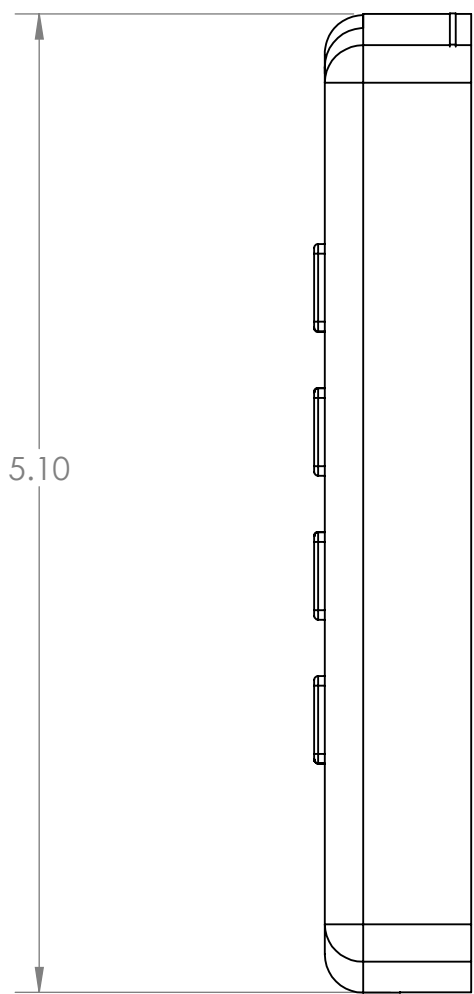
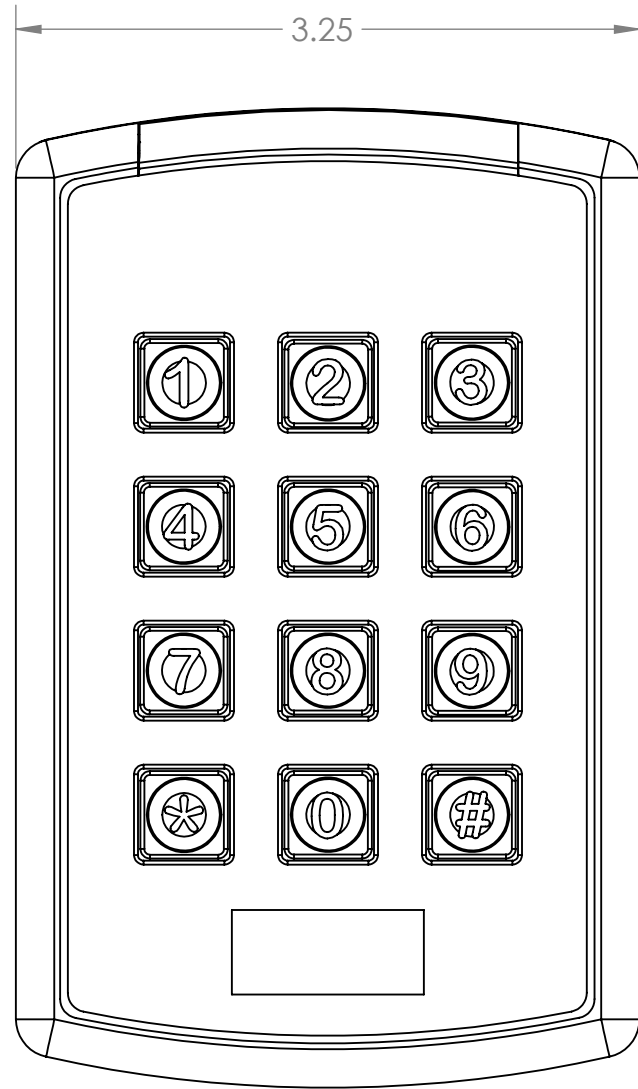
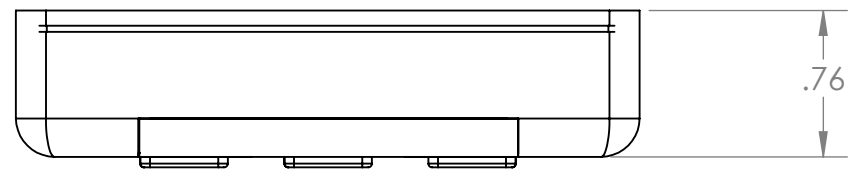


4

3

2

1



B

B

A

A

PROPRIETARY AND CONFIDENTIAL
 THE INFORMATION CONTAINED IN THIS DRAWING IS THE SOLE PROPERTY OF <INSERT COMPANY NAME HERE>. ANY REPRODUCTION IN PART OR AS A WHOLE WITHOUT THE WRITTEN PERMISSION OF <INSERT COMPANY NAME HERE> IS PROHIBITED.

| | | | | | | | |
|-------------|---------|---|--|------------|-------------|---|--------|
| | | UNLESS OTHERWISE SPECIFIED: | | NAME | DATE | WaveLynx Technologies TITLE: ET25 Assembly | |
| | | DIMENSIONS ARE IN INCHES TOLERANCES: FRACTIONAL ± ANGULAR: MACH ± BEND ± TWO PLACE DECIMAL ± THREE PLACE DECIMAL ± | | DRAWN | MC | | 4/3/18 |
| | | INTERPRET GEOMETRIC TOLERANCING PER: | | CHECKED | | | |
| | | MATERIAL | | ENG APPR. | | | |
| NEXT ASSY | USED ON | FINISH | | MFG APPR. | | | |
| APPLICATION | | DO NOT SCALE DRAWING | | Q.A. | | | |
| | | | | COMMENTS: | | | |
| | | | | SIZE | DWG. NO. | REV | |
| | | | | B | ET25 | A | |
| | | | | SCALE: 1:2 | WEIGHT: | SHEET 1 OF 1 | |

4

3

2

1